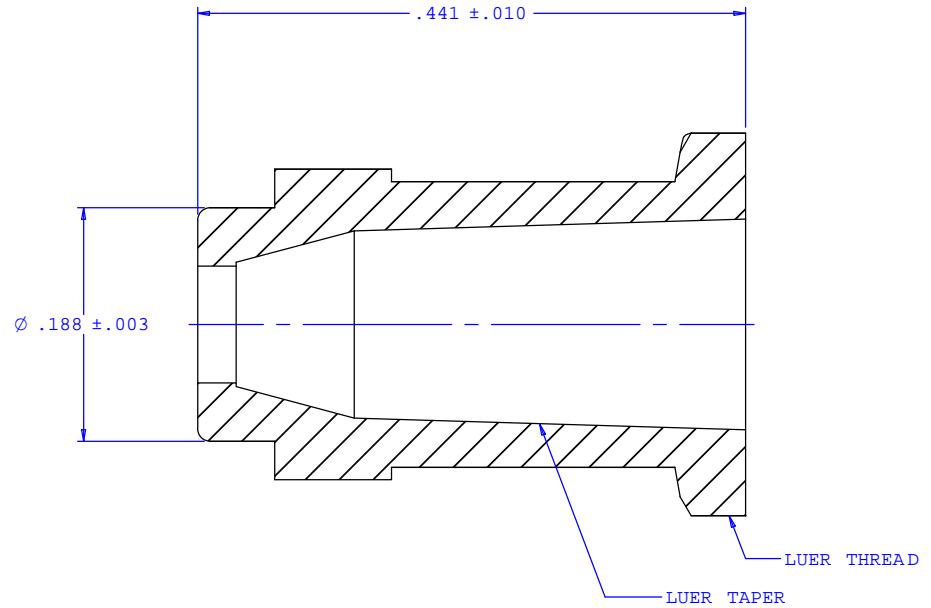
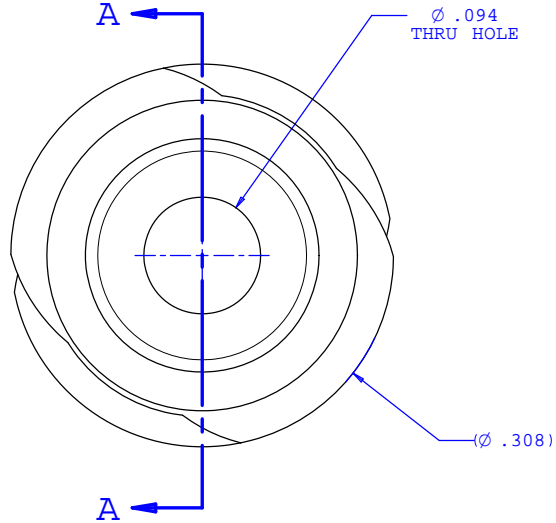
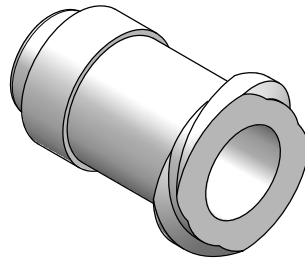


NOTE: FOR MORE DETAILS SEE YOUR V.P.CUSTOMER SERVICE REP.

REVISIONS			
REV.	DESCRIPTION	DATE	APPROVED
A	INITIAL RELEASE	09-02-98	
B	CO 046 Drafting Update	11-29-07	Rick C.



SECTION A-A



UNLESS OTHERWISE SPECIFIED DIMENSIONS ARE IN INCHES TOLERANCES ARE:		VALUE PLASTICS, INC.	
FRACTIONS ±	DECIMALS .XX ±.01 .XXX ±.005 .XXXX ±.001	ANGULAR ±1°	PART NUMBER: BDMFTLL
DO NOT SCALE DRAWING			DESCRIPTION: Bondable Female Luer Thread Style
DRAWN BY: Frank Lombardi	DATE: 05-04-06	SIZE: B	SCALE: NTS
ENGINEER/MANAGER: Rick Cairns		DRAWING NUMBER: 1008759	REV. B
© 2006 VALUE PLASTICS, INC.			SHEET: 1 OF 1

FOR REFERENCE ONLY